

---

## SPENCER KIDS TALL BOOKSHELF

INDOOR USE ONLY · SIMPLE ASSEMBLY REQUIRED · MADE IN CHINA

H 147 CM x W 75 CM x D 30 CM

Olive: Painted MDF body and doors, rubber wood legs.

White: Painted MDF body, MDF with ash wood veneer doors, Rubber wood legs.

**Load limits:** Top shelf 5kg, middle shelf 8kg, each half shelf 3kg, lower shelf 5kg, cabinet 10kg.

**WARNING** Do not stand on product. Do not use as a step ladder. Do not use product unless all bolts, screws and knobs are firmly secured. Only use on even surfaces. Product should be anchored to wall or other suitable surface to prevent tipping. Place heaviest items on the lower shelf. Failure to follow these warnings could result in serious injury.

**CARE INSTRUCTIONS** Wipe clean with a soft, damp cloth. Do not use abrasive materials or solvents. Store in a dry place.



## **WARNING:**

**It is STRONGLY RECOMMENDED that you ANCHOR this product.**

Toppling furniture can cause serious injuries and death.

This product has been fitted with an anchor strap/bracket. To prevent your furniture from tipping forward it is strongly recommended that you **securely attach this product** to a wall or other solid surface, using the anchor straps provided and appropriate fixings.

### **IMPORTANT:**

**Regularly check** that anchors are securely maintained.

Use safety **drawer locks** to prevent children climbing.

Stability of tall item may be affected by thick pile carpet or uneven floors.

**Do not** place unanchored televisions on furniture.

### **CAUTION:**

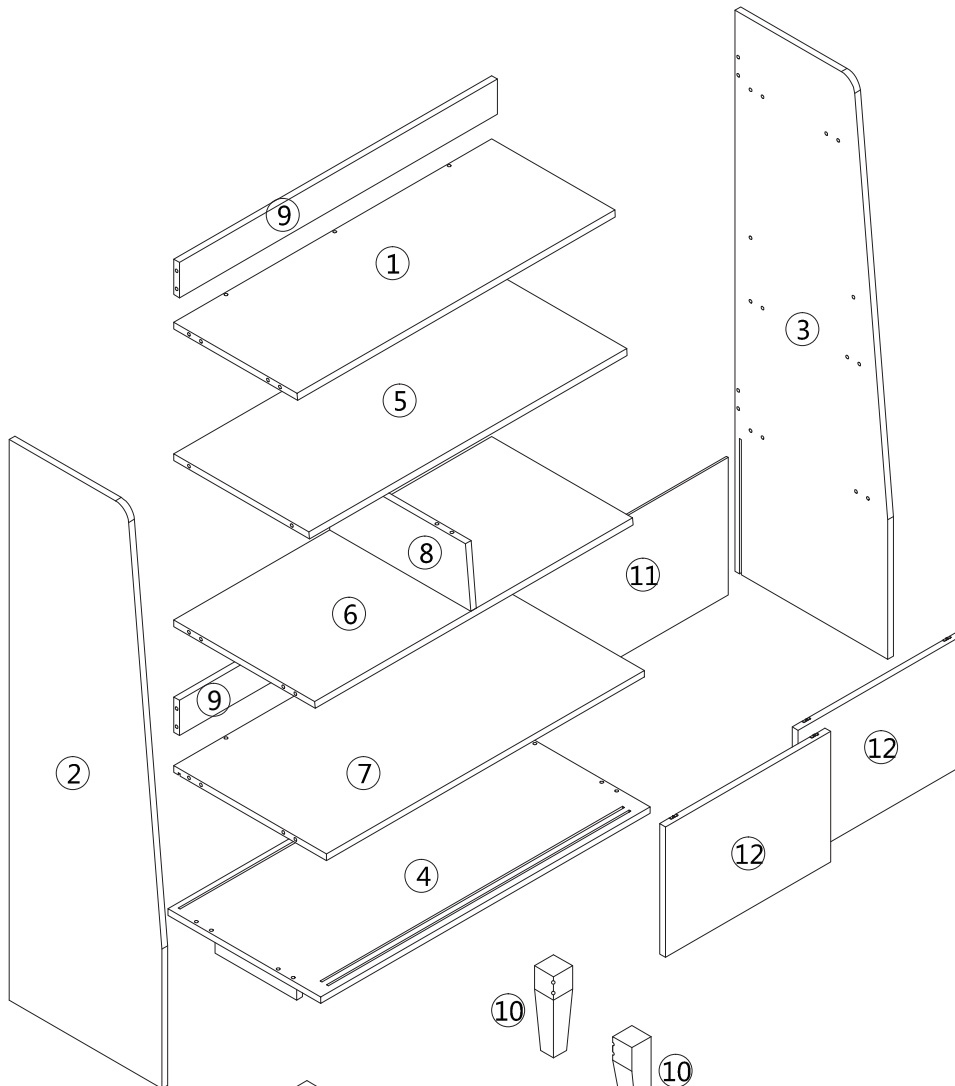
For your safety when attaching the anchor fixings, please note the following:

- Check for any electrical wires or plumbing inside the wall before drilling any holes (if unsure please seek professional advice from a qualified trades person)
- Walls are constructed from different materials, for example, masonry (solid brick) or plasterboard lined cavity walls (hollow). It is important that you use the appropriate fixings for your wall type.
- Your local hardware store will have the necessary drills and fixings and can offer advice if needed. If in doubt, engage the services of a qualified trades person to install and anchor the product.

# ASSEMBLY INSTRUCTIONS

## SPENCER KIDS TALL BOOKSHELF

Please read instructions carefully. Remove all wrapping material, staples and packing straps from the carton. See Parts List and Hardware List for guidance. Be sure you have all parts before you start assembling. Place all furniture parts on a clean and flat soft surface, such as carpet or a rug to prevent from being scratched.

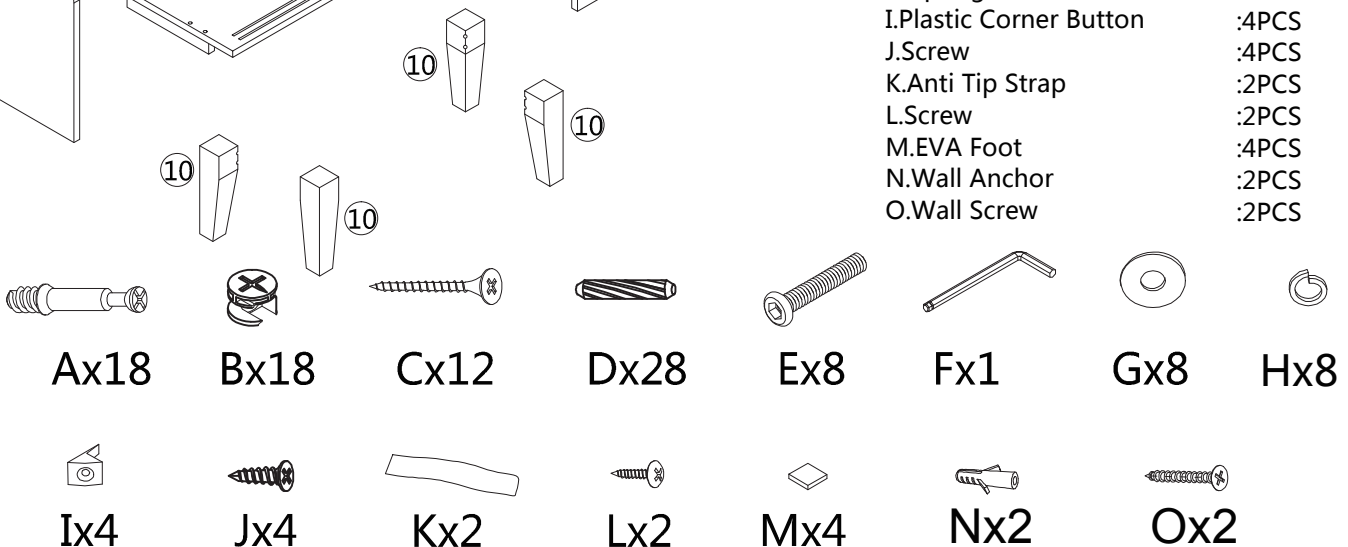


### PARTS LIST

1.Top Panel	:1PC
2.Left Side Panel	:1PC
3.Right Side Panel	:1PC
4.Bottom Panel	:1PC
5.Second Shelf Panel	:1PC
6.Middle Shelf Panel	:1PC
7.Shelf Panel	:1PC
8.Middle Panel	:1PC
9.Back Support Rail	:2PCS
10.Leg	:4PCS
11.Back Panel	:1PC
12.Door Panel	:2PCS

### HARDWARE LIST

A.Cam Bolt	:18PCS
B.Camlock	:18PCS
C.Long Screw	:12PCS
D.Wood Dowel	:28PCS
E.Allen Bolt	:8PCS
F.Allen Key	:1PC
G.Flat Washer	:8PCS
H.Spring Washer	:8PCS
I.Plastic Corner Button	:4PCS
J.Screw	:4PCS
K.Anti Tip Strap	:2PCS
L.Screw	:2PCS
M.EVA Foot	:4PCS
N.Wall Anchor	:2PCS
O.Wall Screw	:2PCS



### FOR ASSEMBLY

- Suggest to be assembled by 2 person.
- Assembly to be carried out by a competent adult only.
- During assembly children should be kept away from the product due to possible risk of injury.
- Do not use this item if any components are missing or damaged.

### **! WARNING!**



IN ORDER TO PREVENT OVERTURNING THIS PRODUCT MUST BE USED WITH THE WALL ATTACHMENT DEVICE PROVIDED. SERIOUS OR FATAL CRUSHING INJURIES CAN OCCUR FROM FURNITURE TIPPING OVER. TO HELP PREVENT THIS ITEM OF FURNITURE TIPPING OVER:

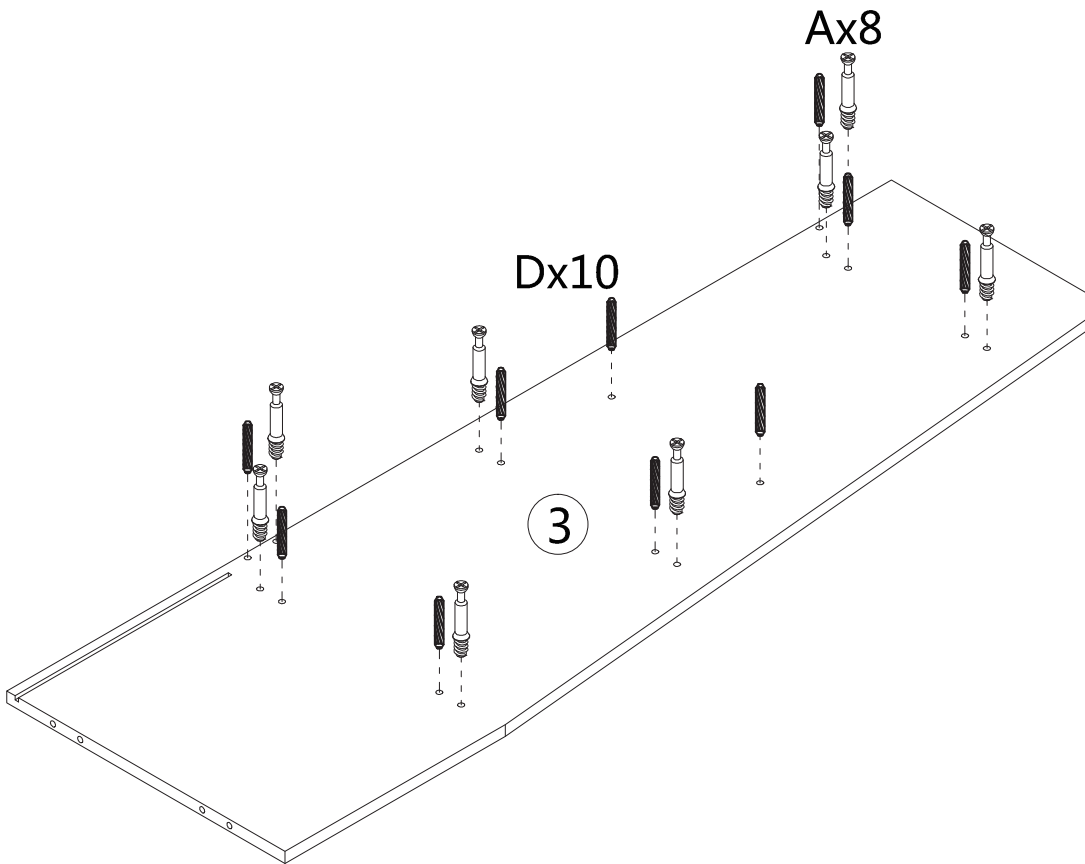
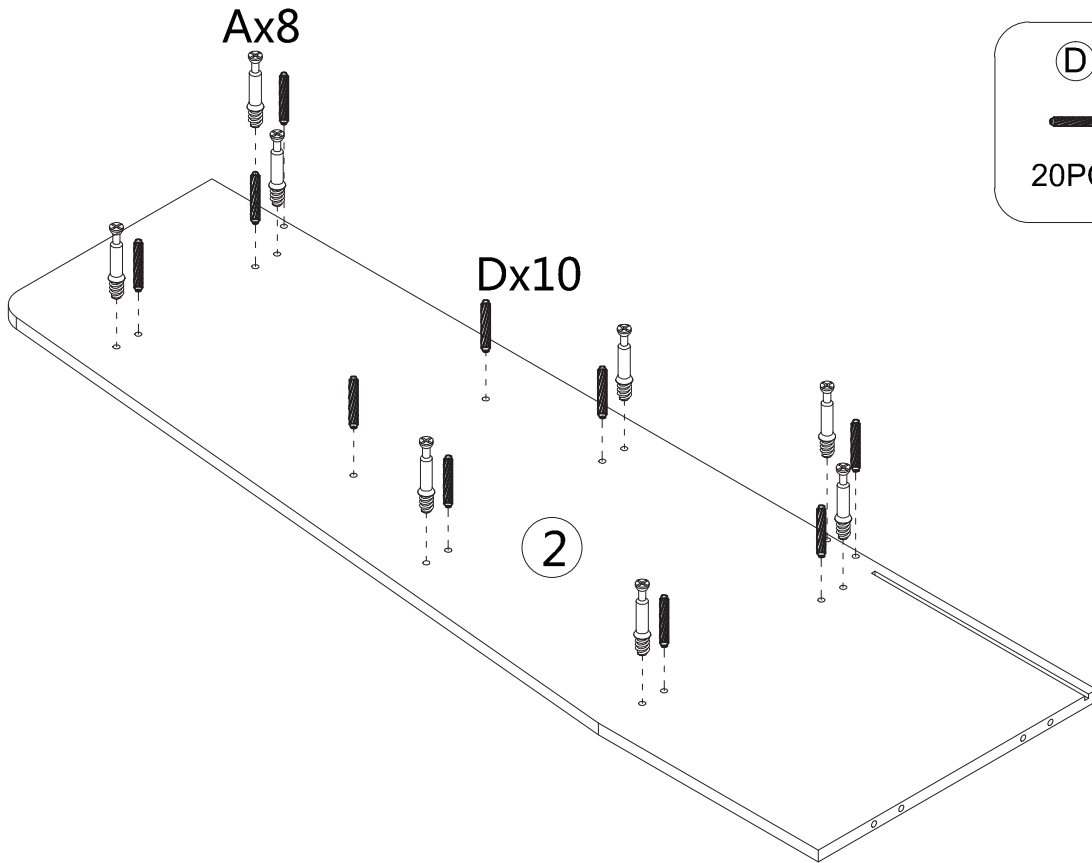
- Use the wall attachment device provided.
- Do not let children climb or hang on drawers, doors or shelves.
- Place the heaviest items in the lower drawers or shelves.
- Do not place TV's or other heavy objects on top of this product. unless it has been specifically designed to support them.

MADE IN CHINA

# ASSEMBLY INSTRUCTIONS

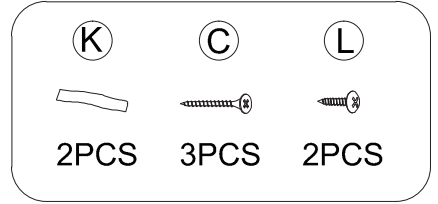
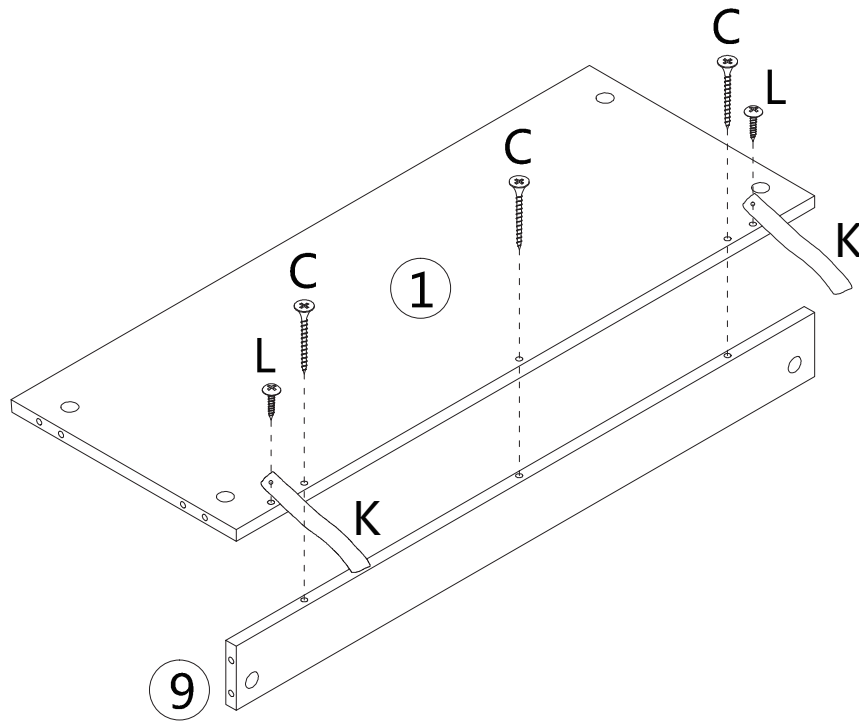
STEP 1

(D)	(A)
	
20PCS	16PCS

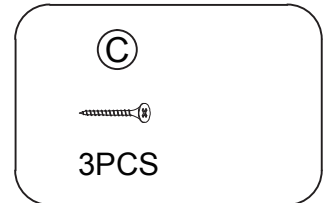
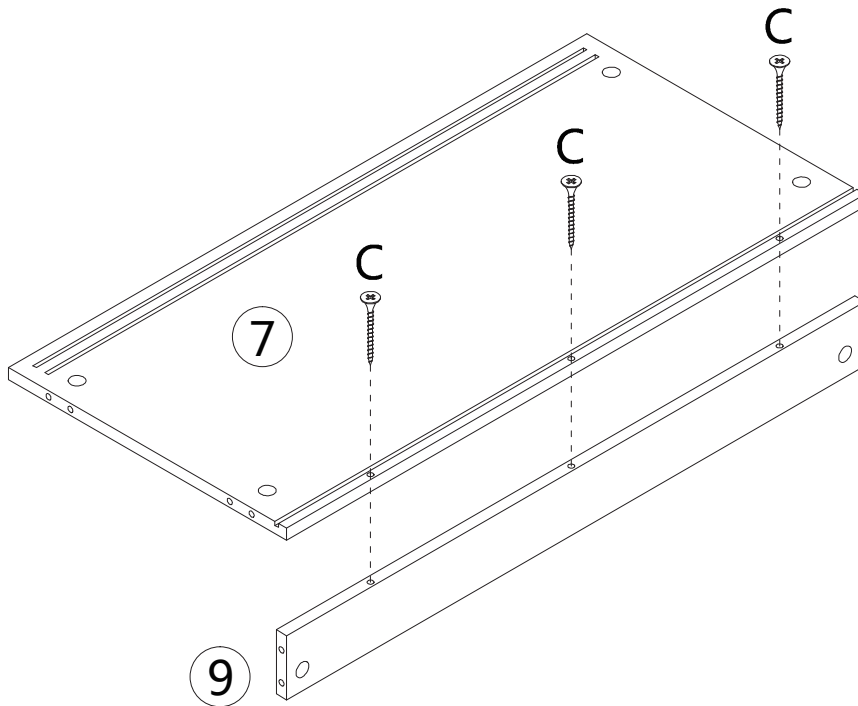


# ASSEMBLY INSTRUCTIONS

STEP 2

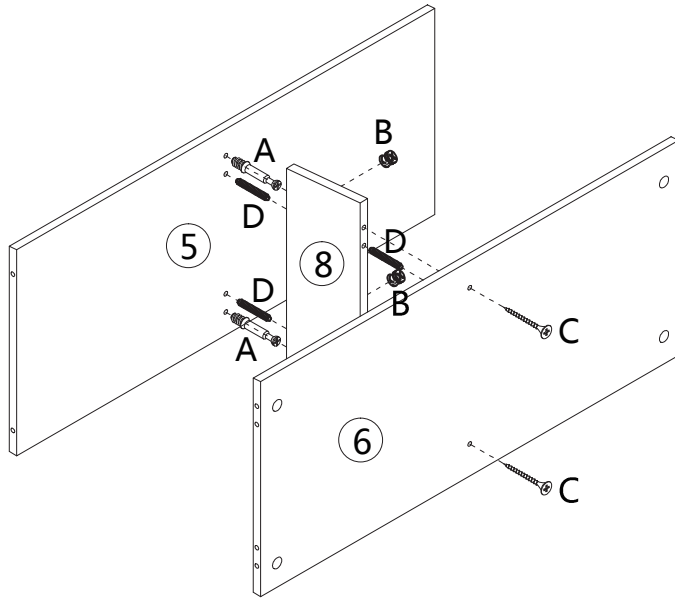





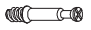
STEP 3



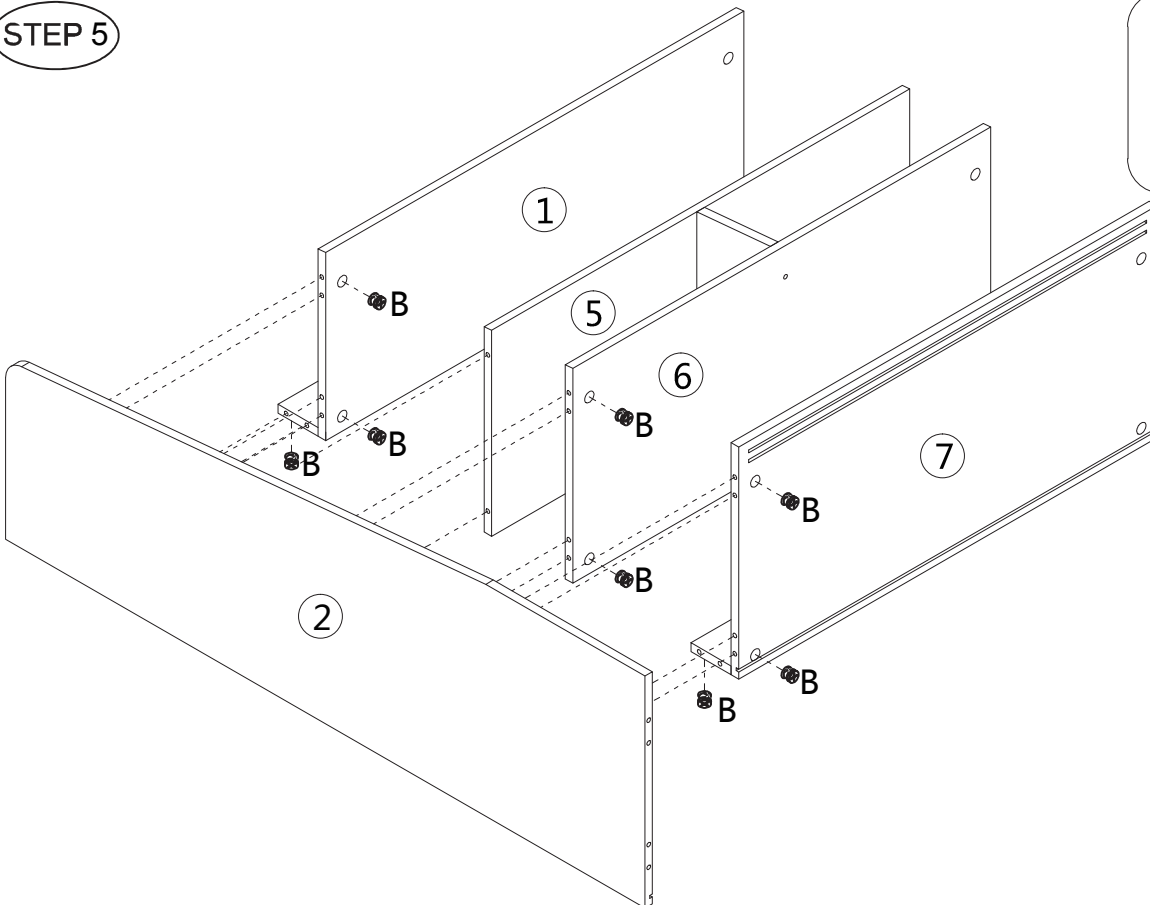
# ASSEMBLY INSTRUCTIONS


STEP 4



<b>(C)</b> 	<b>(D)</b> 	<b>(B)</b> 	<b>(A)</b> 
2PCS	4PCS	2PCS	2PCS

STEP 5



<b>(B)</b> 
8PCS

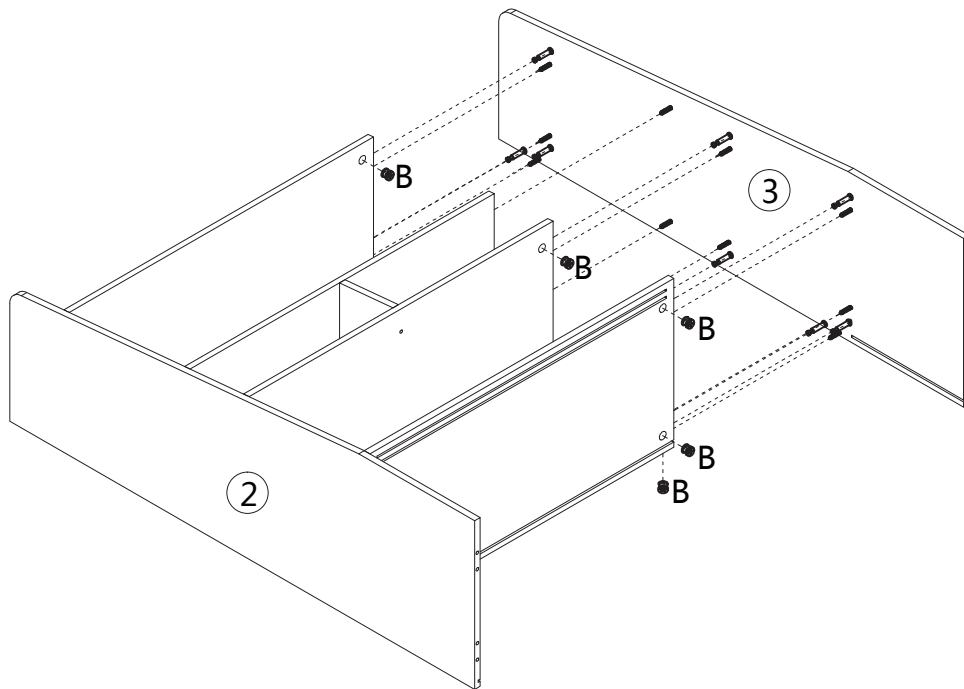
# ASSEMBLY INSTRUCTIONS

STEP 6

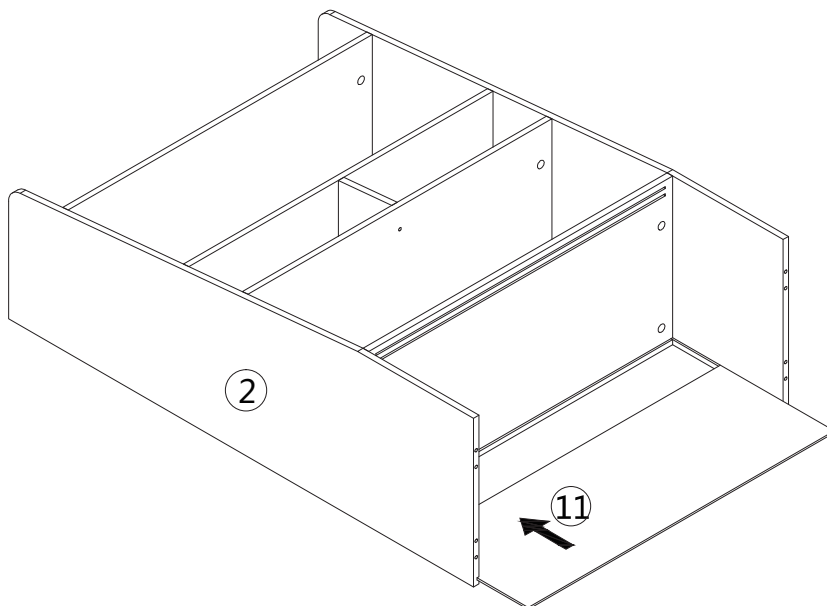
B



8PCS

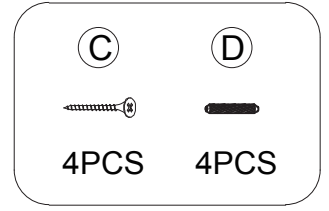
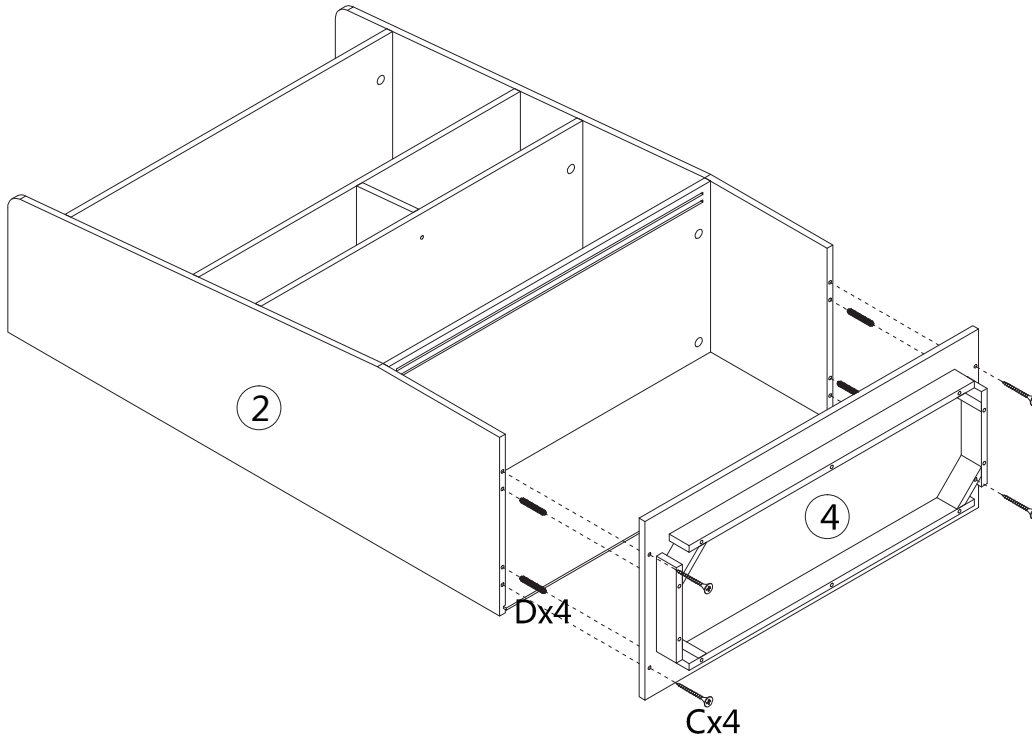


STEP 7

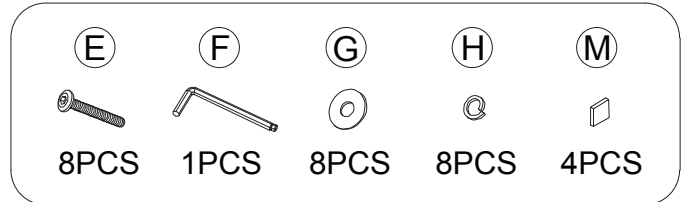
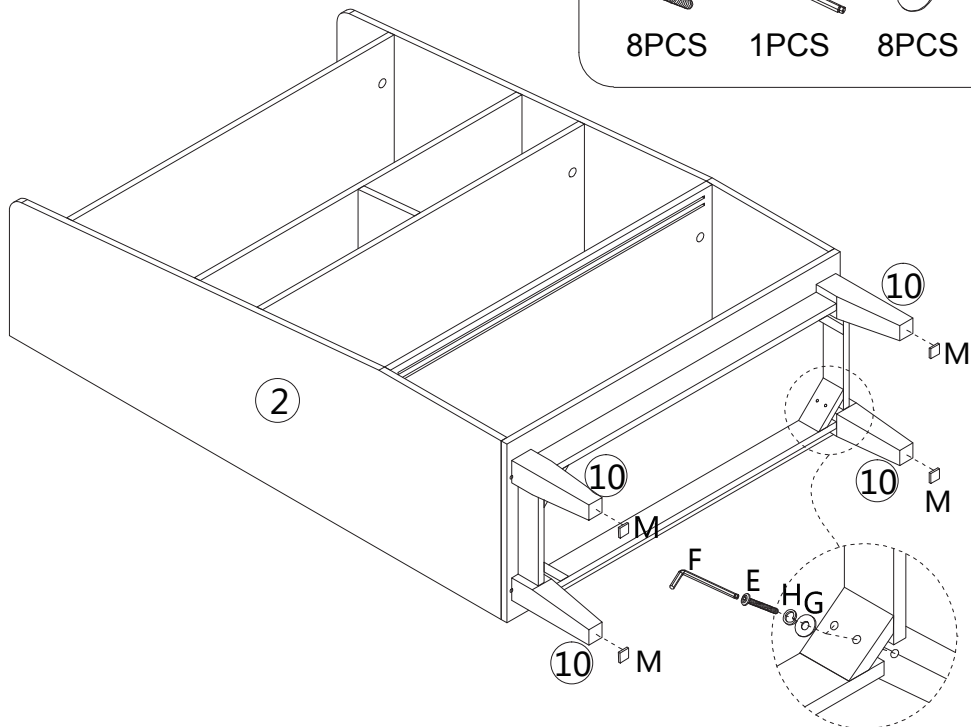


# ASSEMBLY INSTRUCTIONS

## STEP 8

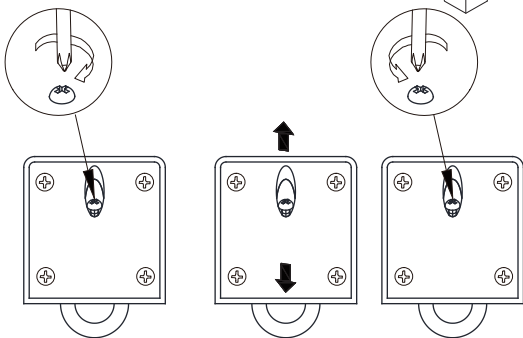
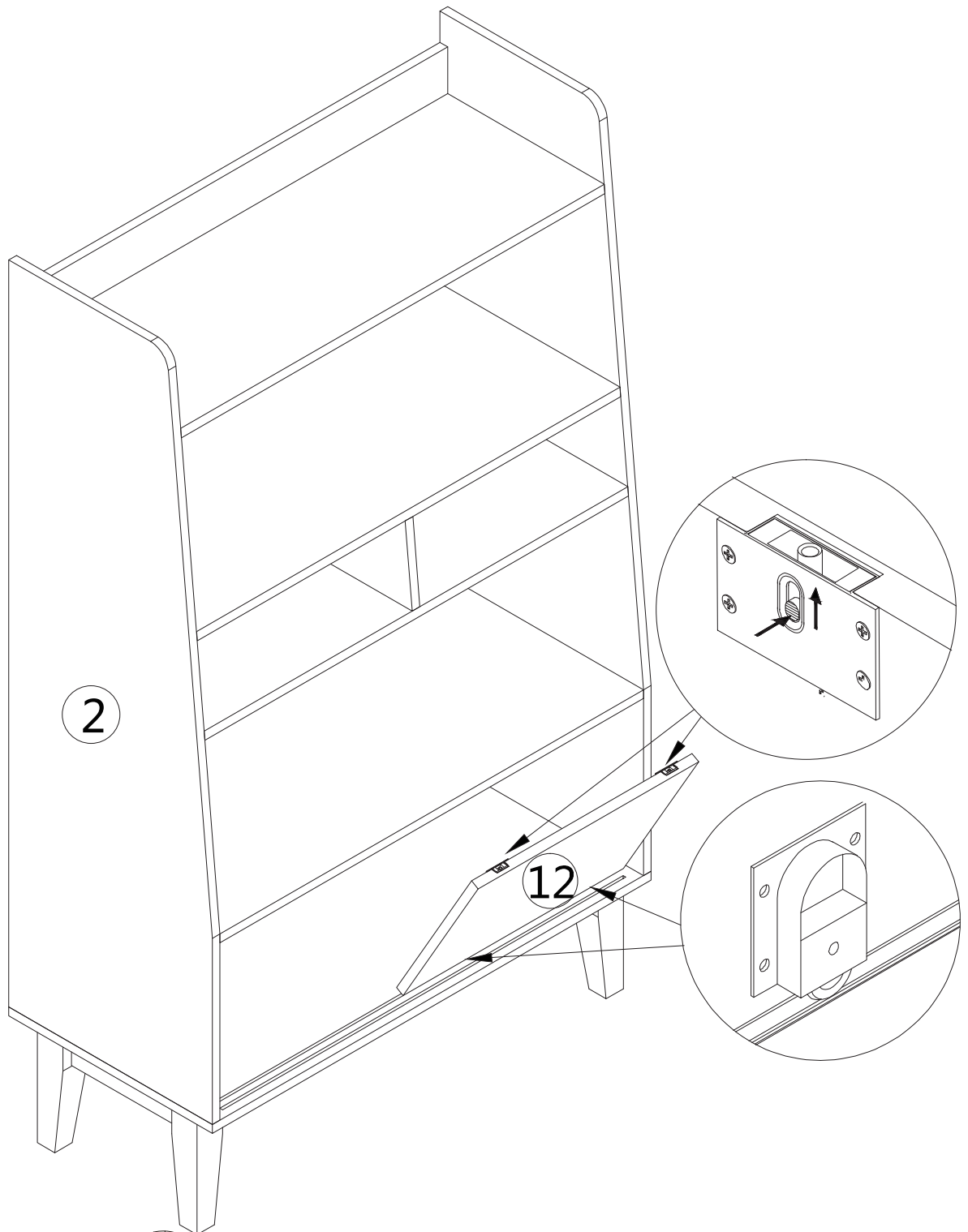


## STEP 9



# ASSEMBLY INSTRUCTIONS

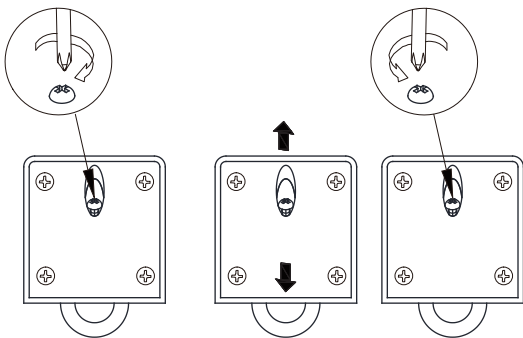
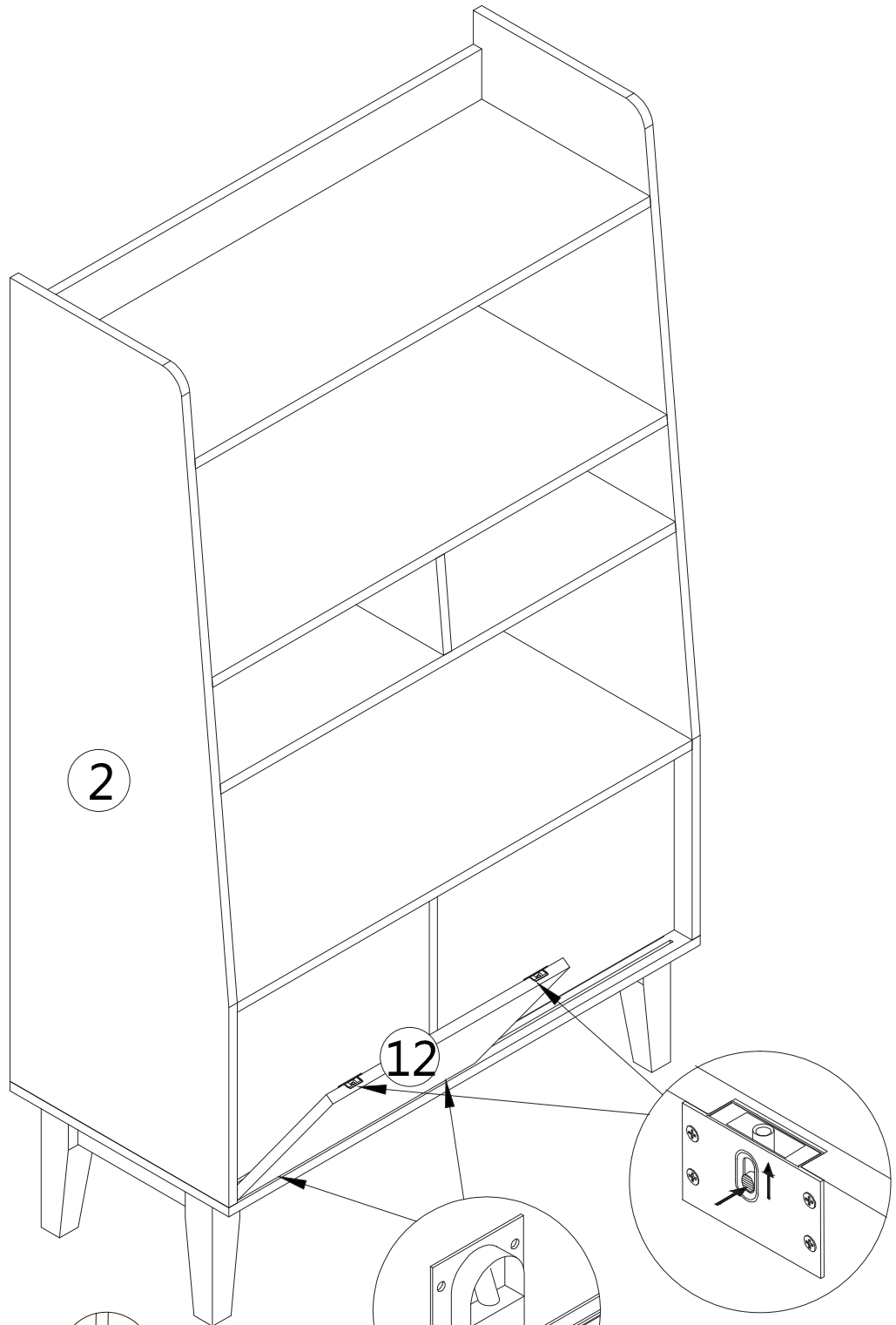
STEP 10



Fine tune the door position to allow moving smoothly.

# ASSEMBLY INSTRUCTIONS

STEP 11



Fine tune the door position to allow moving smoothly.

# ASSEMBLY INSTRUCTIONS

STEP 12

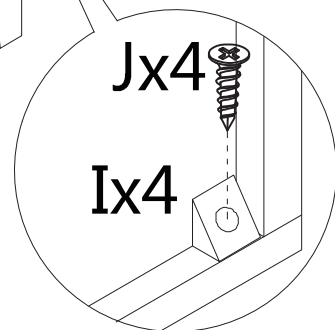
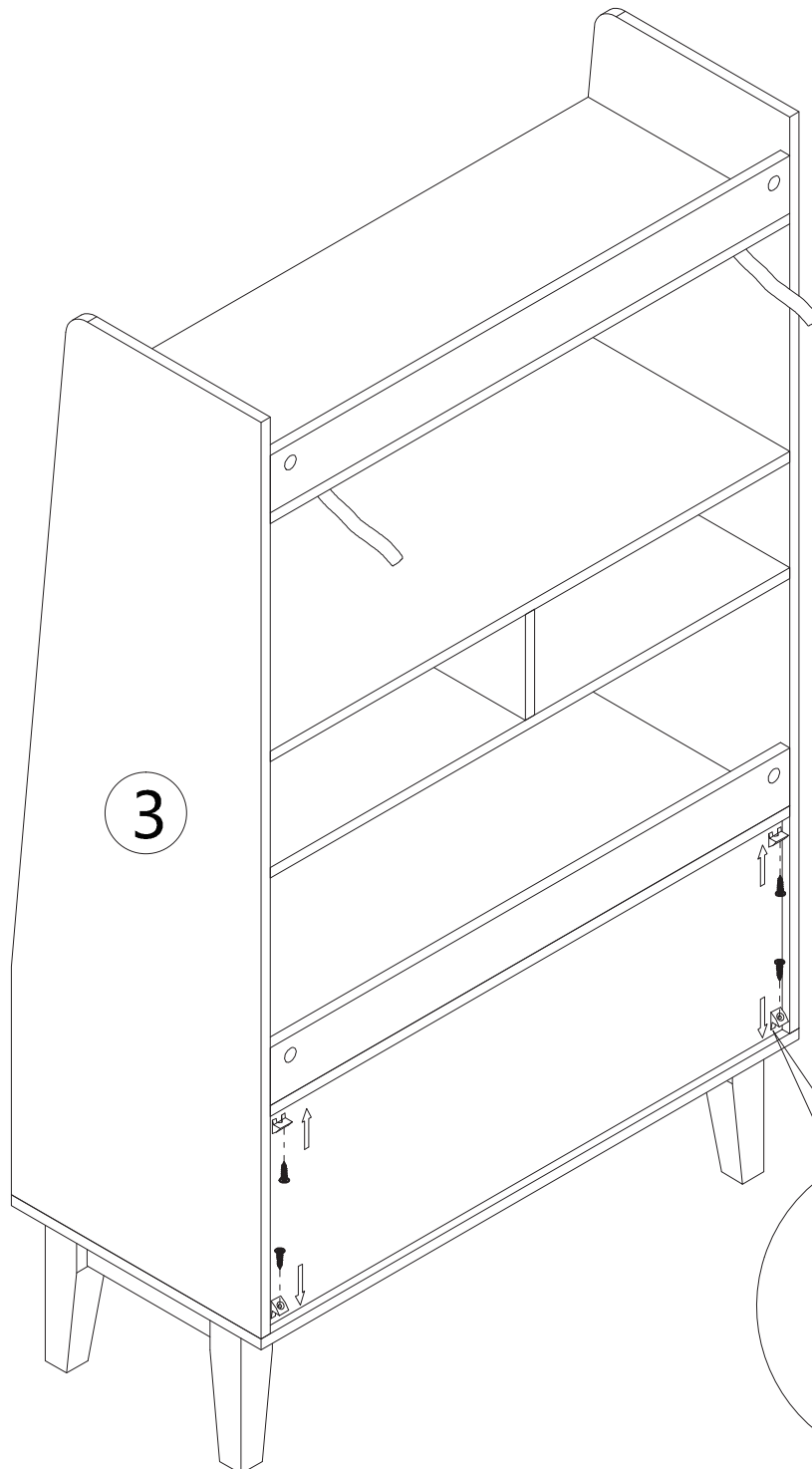
I

J



4PCS

4PCS



Jx4

Ix4

# ASSEMBLY INSTRUCTIONS

STEP 13

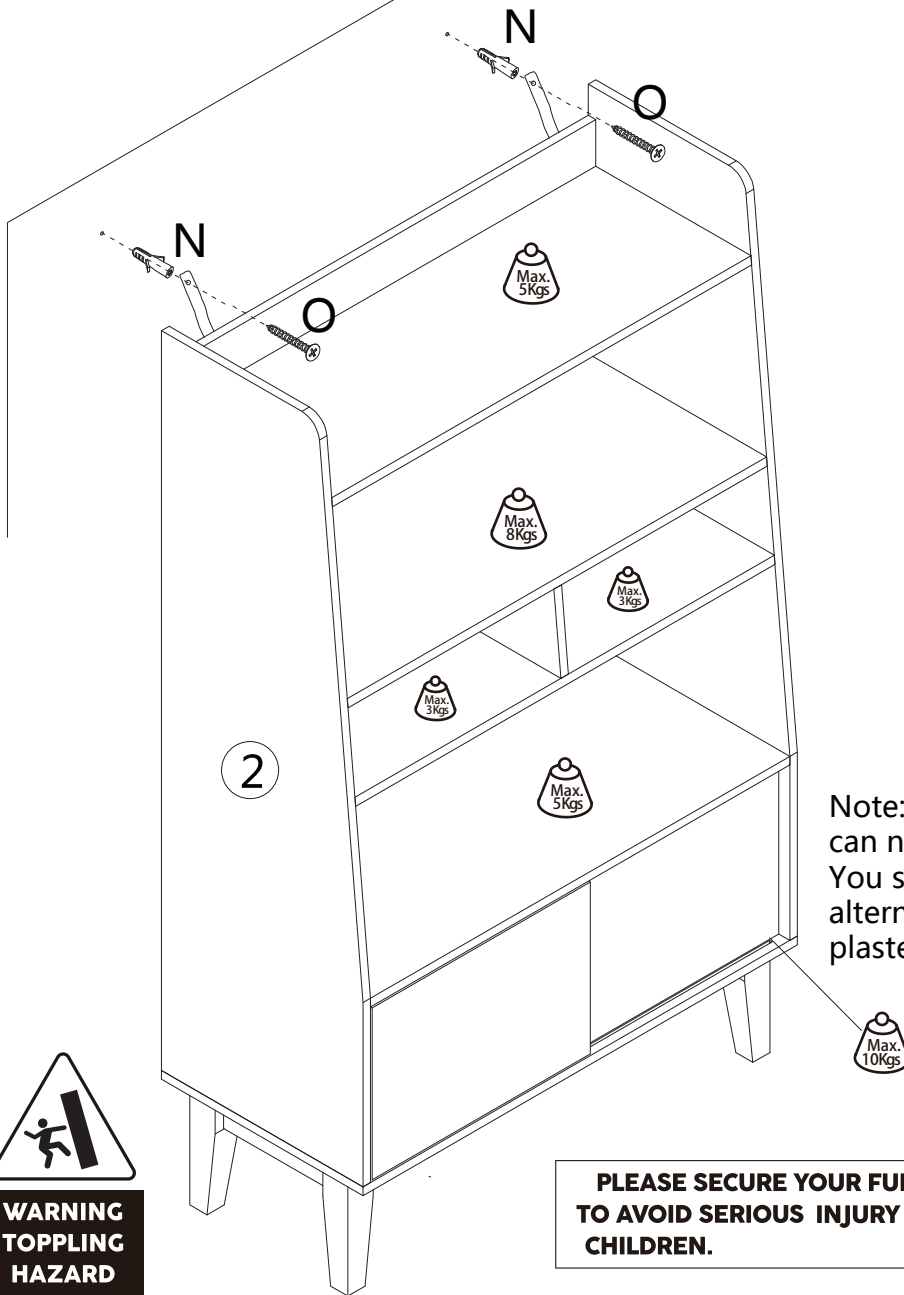
N

O



2PCS

2PCS



**WARNING  
TOPPLING  
HAZARD**

**PLEASE SECURE YOUR FURNITURE  
TO AVOID SERIOUS INJURY TO SMALL  
CHILDREN.**



**SCAN FOR  
FURTHER SAFETY  
INFORMATION.**

This product is suitable for children in the age range of children for which the product is designed 7-12 years.  
Note: Fully tighten all bolts/screws once fully assembled.

Check furniture regularly to ensure all bolts/screws are secure and tighten any loose bolts/screws.

## CARE AND MAINTENANCE:

- Use a slightly damp cloth to clean the product. Do not use bleach or abrasive cleaning material.
- Check all the fittings periodically and re-tighten as necessary. Do not use the product if any of the parts is damaged or broken.
- Never allow any kind of liquid to remain on your furniture. Absorption can cause wood to warp or delaminate.
- Do not place hot items (e.g. hot drinks) directly onto the wood surface.
- Do not drag and/or pull the furniture.